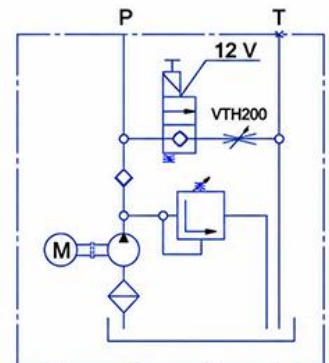
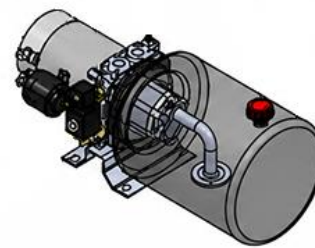
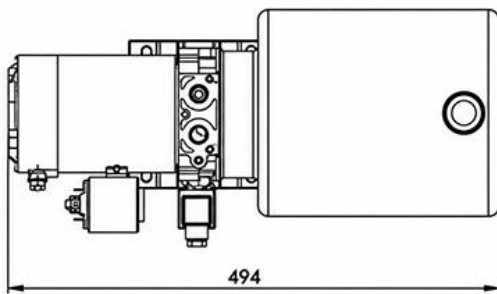
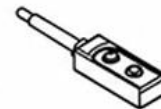
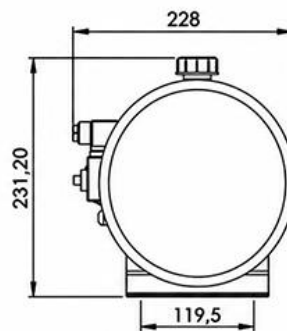
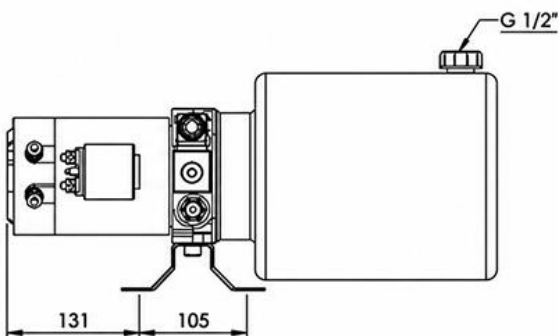


DATA SHEET – DIMENSIONS

10442: MINI HYDRAULIC POWER-PACK UNIT 12V DC - 1.6KW = 2.1CC - 8 LITERS - SINGLE-PHASE UNIT (METAL)

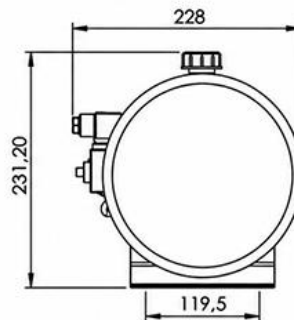
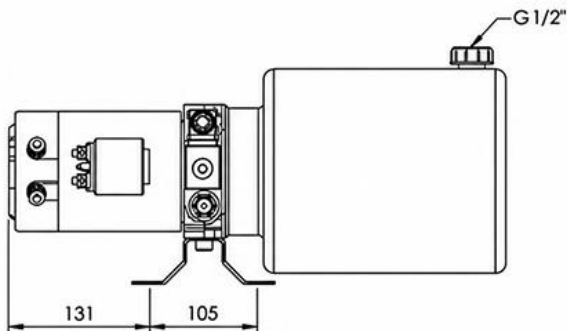
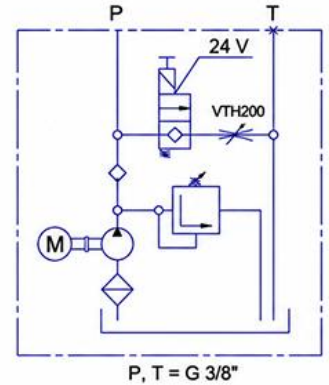
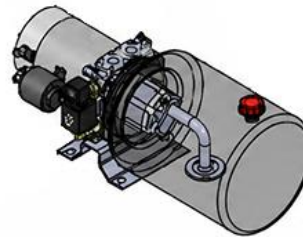
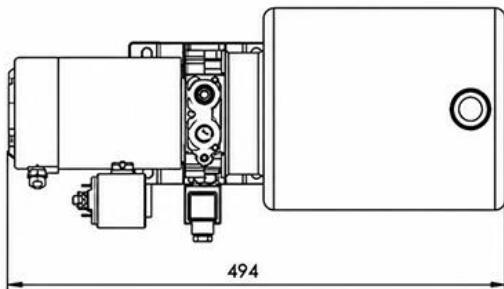


P, T = G 3/8"



daljinec 2 gumba,
2,5 m kabel
2 button remote,
2,5m cable

10444: MINI HYDRAULIC POWER-PACK UNIT 24V DC - 2.2KW = 2.1CC - 8 LIT - SINGLE-PHASE ASSEMBLY (METAL)



daljinec 2 gumba,
2,5 m kabel
2 button remote,
2,5m cable

CODE	VOLTAGE (V)	MOTOR POWER (kW)	MAX. PRESSURE (bar)	PUMP FLOW (cc)	OIL TANK CAPACITY (l)	FLOW OF POWER PACK (lit/min)	SPEED (vrt/min)
10442	12	1,6	155	2,1	5,6	8	2500
10444	24	2,2	210		5,8		

CIRCUIT DIAGRAM:

